

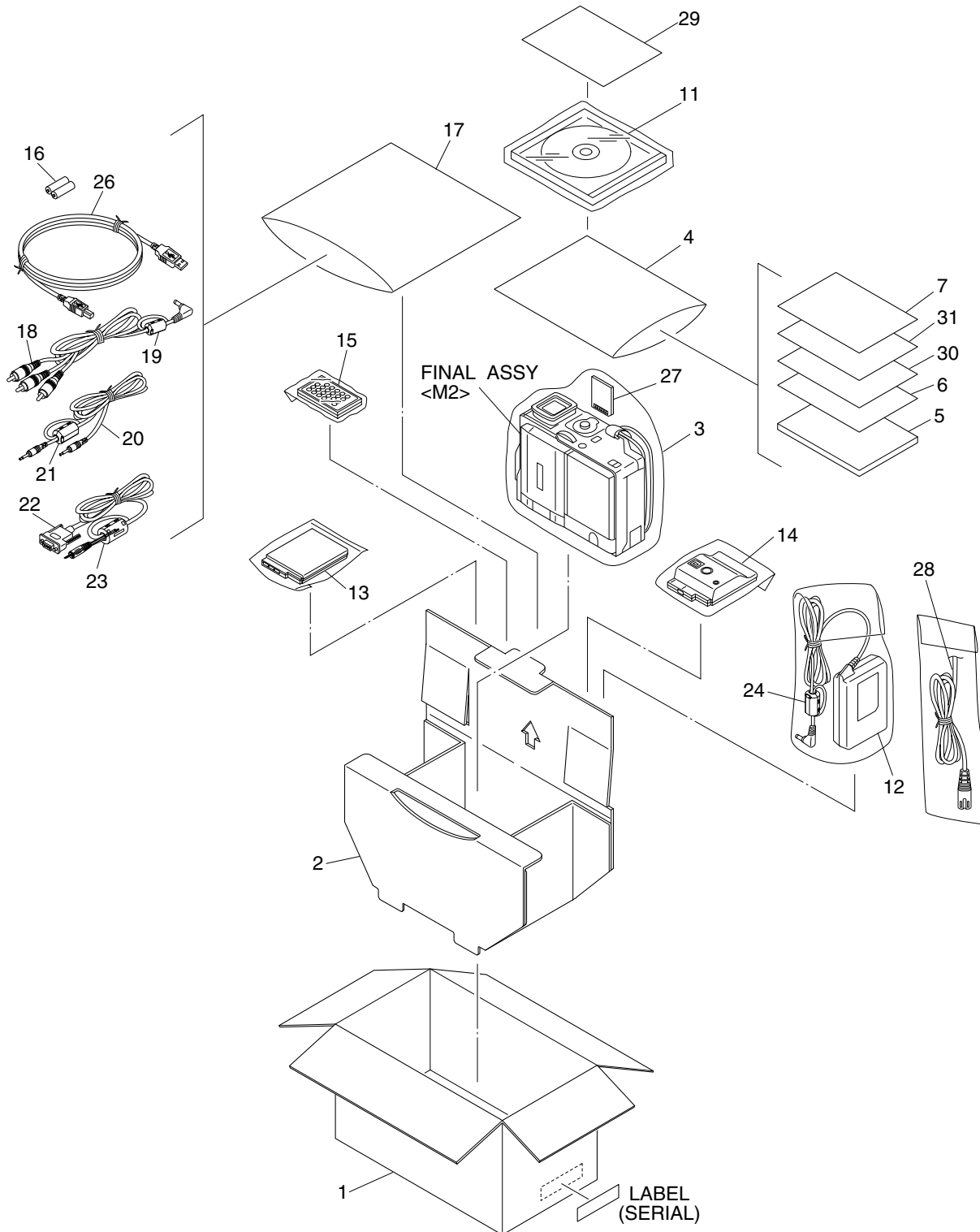
SECTION 5 PARTS LIST

SAFETY PRECAUTION

Parts identified by the \triangle symbol are critical for safety. Replace only with specified part numbers.

5.1 PACKING AND ACCESSORY ASSEMBLY <M1>

The instruction manual to be provided with this product will differ according to the destination.



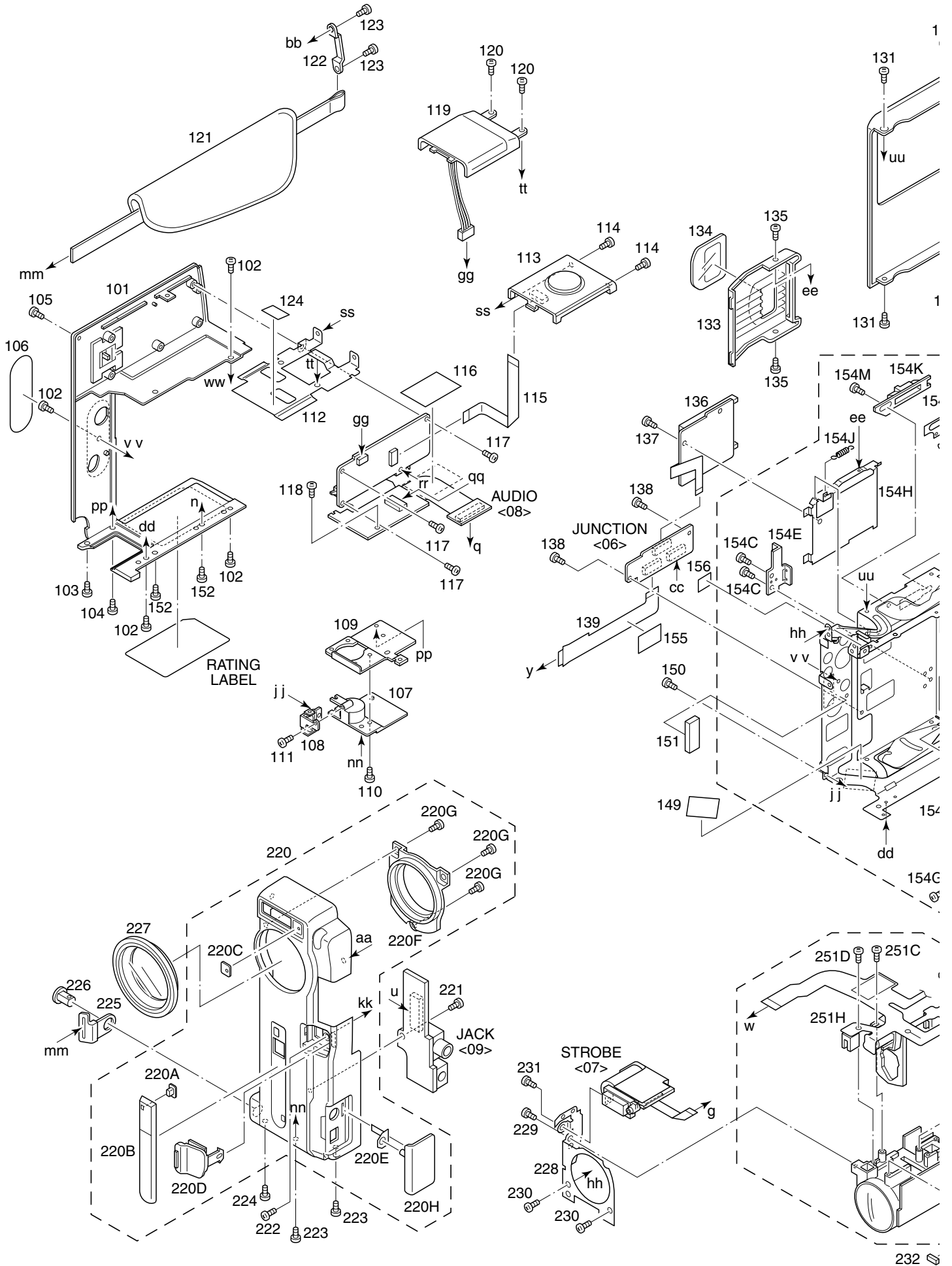
#	△ REF No.	PART No.	PART NAME, DESCRIPTION

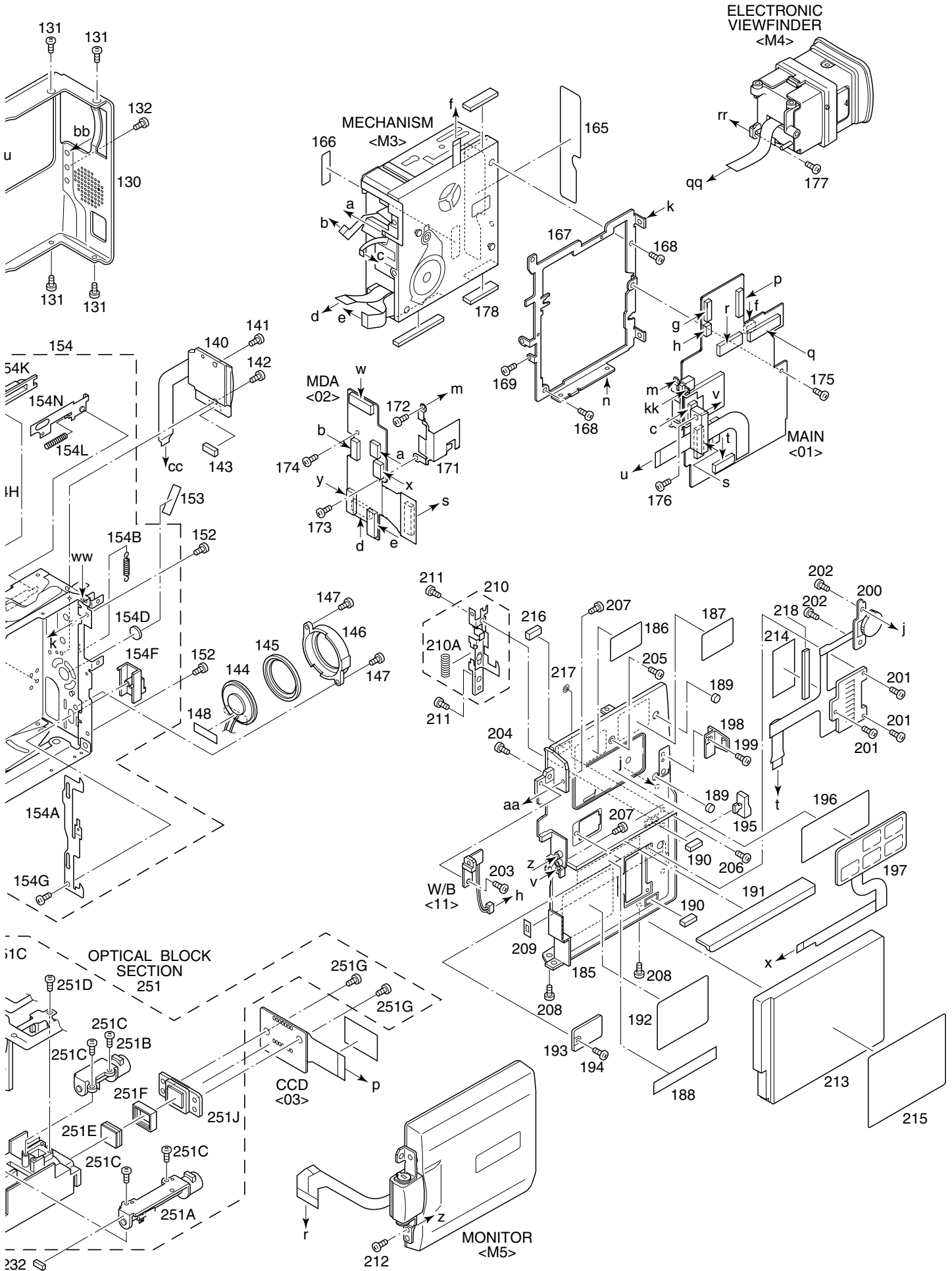
PACKING AND ACCESSORY ASSEMBLY <M1>

1	LY31717-022A	PACKING CASE,DVM75KR
	LY31717-023A	PACKING CASE,DVM55KR
2	LY20588-001A	CUSHION
3	LY30023-003A	POLY BAG
4	QPA02003006	POLY BAG
△ 5	LYT0777-001A	INST.BOOK(KO)
△ 6	LYT0650-001A	INST.BOOK(SOFT.SETUP),DVM55KR
7	LYT0378-003A	SHEET(AGREEMENT)
11	LY32210-002B	CD ROM,DVM55KR
	LY32210-004B	CD ROM,DVM75KR
△ 12	LY20688-010A	AC ADAPTER,AP-V10KR
△ 13	LY31174-006A	BATTERY PACK,BN-V507U
14	LY32142-001B	JACK BOX,CU-V506,DVM75KR
	LY32142-002B	JACK BOX,CU-V505,DVM55KR
15	LY20750-001A	REMOTE CONTROL UNIT,RM-V717U
16	-	BATTERY,AAA(R03),X2
17	QPA01703005	POLY BAG,DVM55KR
18	QAM0346-001	CABLE ASSY,AUDIO/VIDEO CABLE
19	QQR0918-002	CORE FILTER,DVM55KR
20	QAM0214-001	RM (EDITING)CABLE,DVM55KR
	PEAC0428-150	CABLE ASSY,EDITING CABLE,DVM75KR
21	QQR0491-002	CORE FILTER,DVM55KR
22	QAM0084-001	PC CONNECTION CABLE,DVM55KR
23	QQR0918-002	CORE FILTER,DVM55KR
24	QQR0490-002	CORE FILTER
26	QAM0322-001	USB CABLE,DVM75KR
27	QAM0262-002	MEMORY CARD,DVM75KR
△ 28	QMPS130-190-JC	POWER CORD
29	BT-56010-1	WARRANTY CARD,DVM75KR
△ 30	LYT0771-001A	INST.BOOK(SOFT.KO),DVM75KR
△ 31	LYT0650-002A	INST.BOOK(SOFT.OPE.KO),DVM55KR

• INSTRUCTIONS
 KO KOREAN

5.2 FINAL ASSEMBLY <M2>





#	△ REF No.	PART No.	PART NAME, DESCRIPTION

FINAL ASSEMBLY <M2>			
△	101	LY20727-001B	LOWER CASE ASSY,DVM75KR
		LY10287-002A	LOWER CASE,DVM55KR
	102	LY30018-006B	SPECIAL SCREW,X4
	103	QYSPSPT1740R	SCREW
	104	QYSPSPT1720R	SCREW
	105	QYSPSPT1735R	SCREW
	106	LY42911-001A	SHEET
	107	LY32141-001A	BASE(T.P.)
	108	LY42912-001A	BRACKET(BASE)1
	109	LY42291-001B	BRACKET(BASE)2
	110	QYSPSPT1740R	SCREW
	111	LY30018-063A	SPECIAL SCREW
	112	LY32149-001A	BRACKET(TOP)
	113	LY32133-001A	DECK OPE ASSY
	114	QYSPSPT1735R	SCREW,X2
	115	WJT0034-001A	E-CARD WIRE,AUDIO CN803-DECK OPE.
	116	LY30029-0E5A	SPACER(A)
	117	LY30018-020A	SPECIAL SCREW,X3
	118	LY30018-006B	SPECIAL SCREW
	119	LY31093-004A	MIC UNIT
	120	LY30018-060A	SPECIAL SCREW,X2
	121	LY32132-001A	GRIP BELT
	122	LY41588-001A	HOOK(OPE)
	123	LY30018-0B5A	SPECIAL SCREW,X2
	124	LY30016-040B	SPACER-A
	130	LY10288-001A	CASSETTE COVER,DVM75KR
		LY10288-002A	CASSETTE COVER,DVM55KR
	131	LY30018-006B	SPECIAL SCREW,X6
	132	LY30018-0B5A	SPECIAL SCREW
	133	LY32131-001B	COVER(SD),DVM75KR
	134	LY42905-001B	WINDOW,DVM75KR
	135	QYSPSPT1715R	SCREW,X2,DVM75KR
	136	LY32189-001B	FPC ASSY(SD),DVM75KR
	137	QYSPSPT1720R	SCREW,DVM75KR
	138	QYSPSPT1720R	SCREW,X2
	139	QAL0304-002	FPC,JUNC CN601-MDA CN208
	140	LY20730-001A	CAMERA OPE UNIT
	141	QYSPSPT1750Z	SCREW
	142	LY30018-0C3A	SPECIAL SCREW
	143	LY43096-001A	SPACER(C.OPE)
	144	QAS0076-001	SPEAKER,TO JUNCTION PWB
	145	LY40301-001A	SPACER(SPK)
	146	LY32168-001A	HOLDER(SPK)
	147	LY30018-096A	SPECIAL SCREW,X2
	148	LY30029-086A	SPACER(A)
	149	LY30029-0H4B	SPACER(A)
	150	LY30018-070A	SPECIAL SCREW
	151	LY30016-0H5A	SPACER-A
	152	LY30018-070A	SPECIAL SCREW,X4
	153	LY30029-074A	SPACER(A)
	154	LY20736-001C	ARM ASSY,DVM75KR
		LY20736-002B	ARM ASSY,DVM55KR
	154A	LY31665-001A	PLATE(LOCK)
	154B	LY30001-023A	TENSION SPRING
	154C	LY30018-056A	SPECIAL SCREW,X2
	154D	LY42268-001A	SPACER(SPK)
	154E	LY32156-001A	BRACKET(HOOK)
	154F	LY31676-002A	KNOB(EJECT)
	154G	LY30018-015A	SPECIAL SCREW
	154H	LY32129-001A	BRACKET(HINGE),DVM75KR
	154J	LY30001-024A	TENSION SPRING,DVM75KR
	154K	LY42900-001A	KNOB,DVM75KR
	154L	LY30002-051A	COMPRESSION SPRING,DVM75KR
	154M	LY30019-028A	SPECIAL SCREW,DVM75KR
	154N	LY42902-001A	PLATE(KNOB),DVM75KR
	155	LY30029-0J2C	SPACER(A)
	156	LY30029-0J3A	SPACER(A)
	165	LY40698-002A	LABEL(HOUSING)
	166	LY40699-002A	LABEL(PUSH)
	167	LY20732-001A	BRACKET(MECHA)
	168	LY30019-026A	SPECIAL SCREW,X2
	169	YQ43893-4	MINI SCREW
	171	LY31696-001A	SHIELD PLATE
	172	YQ43893-4	MINI SCREW
	173	QYSPSPT1735R	SCREW
	174	LY30018-070A	SPECIAL SCREW

#	△ REF No.	PART No.	PART NAME, DESCRIPTION
		175	QYSPSPT1735R
		176	QYSPSPT1735R
		177	LY30018-060A
		178	LY41430-005A
		185	LY10289-001A
		186	LY42163-003A
		187	LY41701-002A
△		188	LY43226-001A
△			LY43226-002A
		189	LY42350-001A
		190	LY30029-091A
		191	LY42906-001A
			LY42906-002A
		192	LY43007-001A
		193	LY41393-004A
		194	LY30018-070A
		195	LY31102-001A
		196	LY42406-002A
		197	LY32170-001A
		198	LY31682-001B
		199	LY30018-0B8A
		200	LY32191-001A
		201	LY30018-065A
		202	QYSPSPT1740R
		203	QYSPSPT1735R
		204	LY30018-068A
		205	LY30018-060A
		206	LY30018-070A
		207	QYSPSGT1780R
		208	QYSPSPT1735R
		209	LY41397-001A
		210	LY42270-001A
		210A	LY30002-015A
		211	QYSPSPT1725Z
		212	LY30018-0B9A
		213	LY31127-002A
		214	LY30029-0H9A
		215	LY43130-001A
			LY43130-005A
		216	LY30029-0H7C
		217	LY41836-001A
		218	LY30029-0K1A
		220	LY20731-001D
			LY20731-002C
		220A	LY42276-001B
		220B	LY42909-001A
		220C	LY42278-001A
		220D	LY32135-001A
		220E	LY42286-001A
		220F	LY32137-001A
		220G	QYSPSGT1735Z
		220H	LY32136-006A
			LY32136-007A
		221	QYSPSGT1740Z
		222	LY30018-0B8A
		223	QYSPSPT1735R
		224	LY30019-022A
		225	LY31691-001B
		226	LY42910-001A
		227	LY32138-001A
		228	LY32140-001A
		229	QYSPSGT1735Z
			QYSPSGT1730Z
		230	LY30018-070A
		231	QYSPSGT1730Z
		232	LY30029-0H3A
- OPTICAL BLOCK SECTION -			
		251	J7A-143A
		251A	LY30723-001B
		251B	LY30724-001B
		251C	LY30727-002A
		251D	LY30727-001A
		251E	LY42936-001A
		251F	LY31639-001A
		251G	QYSPSGU1750Z
		251H	LY32196-001A
		251J	YS40168E
			SCREW
			SCREW
			SPECIAL SCREW
			SPACER
			UPPER CASE
			SHEET(CAUTION)2
			SHEET(CAUTION)1
			LABEL(EMC),DVM75KR
			LABEL(EMC),DVM55KR
			FOOT,X2
			SPACER(A),X2
			PLATE,DVM75KR
			PLATE,DVM55KR
			LABEL(UPPER)
			COVER(JIG CONN)
			SPECIAL SCREW
			KNOB(LOCK)
			SHEET,DVM55KR
			SUB OPE.ASSY,DVM75KR
			LOCK(MONITOR)
			SPECIAL SCREW
			FPC ASSY(J.BOX)
			SPECIAL SCREW,X3
			SCREW,X2
			SCREW
			SPECIAL SCREW
			SPECIAL SCREW
			SPECIAL SCREW
			SCREW,X2
			SCREW,X2
			PLATE(KNOB)
			BATTERY LOCK ASSY
			COMPRESSION SPRING
			SCREW,X2
			SPECIAL SCREW
			DUMMY BATTERY
			SPACER(A)
			STICKER,DVM75KR
			STICKER,DVM55KR
			SPACER(A)
			SPACER
			SPACER(A),DVM75KR
			FRONT COVER ASSY,DVM75KR
			FRONT COVER ASSY,DVM55KR
			INDICATOR
			WINDOW (IR)
			WINDOW(STB),DVM75KR
			COVER (DV)
			HINGE(AV)
			COVER (FRONT)
			SCREW,X3
			COVER (AV),DVM75KR
			COVER (AV),DVM55KR
			SCREW
			SPECIAL SCREW
			SCREW,X2
			SPECIAL SCREW
			HOOK
			STUD(HOOK)
			HOOD ASSY
			BRACKET(OP)
			SCREW,DVM55KR
			SCREW,DVM75KR
			SPECIAL SCREW,X2
			SCREW,DVM75KR
			SPACER(A),DVM75KR
			OPTICAL BLOCK ASSY
			ZOOM MOTOR
			FOCUS MOTOR
			SCREW,X5
			SCREW,X2
			OPTICAL LPF
			SPACER RUBBER
			SCREW,X2
			IRIS MOTOR
			CCD BASE ASSY